

# OTS<sup>®</sup><sub>20</sub> Batteryless RFID LOCK

MANUAL

INSTALLATION AND ASSEMBLY



## ÍNDICE

---

1. General recommendations and instructions for use	3
2. OTS Lock installation and assembly	4
3. Technical drawings	4
4. Lock direction	5
5. Assembly considerations	5
6. Assembly and installation process	6

## 1 GENERAL RECOMMENDATIONS AND INSTRUCTIONS FOR USE

---

To ensure the correct operation of our product in your installations you must follow the following rules:

1. Product installation and use must be carried out in accordance with the technical operating conditions described in the corresponding manual.
2. When not specifically indicated the proper installation and use of the application is the responsibility of the customer.
3. Inspect the packaging and material for damage immediately after reception of the material. Additionally check that the delivery is complete (accessories, documentation, etc.)
4. If the packaging has been damaged during transport or you suspect that it could have been damaged or may be faulty, the material must not be started up. In this case, please contact us.
5. Our products' installation and handling must be carried out by authorised staff. The electrical connections in particular must be carried out only by qualified specialists.
6. Any replacement or removal of the protection covers is strictly forbidden.
7. Do not attempt to repair materials after a fault or damage and try to operate it again. In such an event, it is 20 you contact us.
8. We take no responsibility for damage caused as the result of misuse.



## 2. OTS LOCK INSTALLATION AND ASSEMBLY

---

The OTS 20 Batteryless lock can be installed in lockers up to 20 mm thick.

The assembly of the lock in the locker door must be correctly carried out to ensure the correct operation of the lock.

The position of the fixing holes and the distance from the lock to the locker body, as shown in figures 1.2 and 1.3, must be correctly carried out to prevent the knob from seizing up and the tab from being blocked.

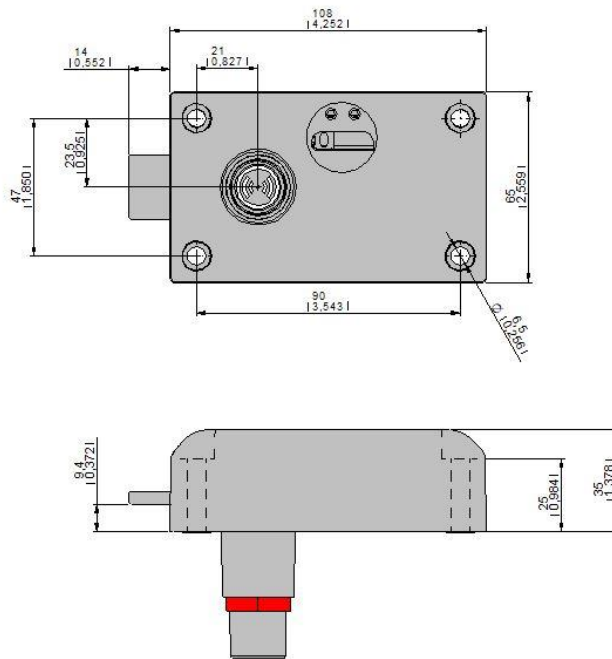
If the tab becomes blocked due to incorrect installation, it can be unblocked by pressing the door inwards and pulling the knob outwards.

## 3. TECHNICAL DRAWINGS

---

### OTS 20 Batteryless RFID LOCK

•))



Measurements of OTS lock in mm. (Inches)

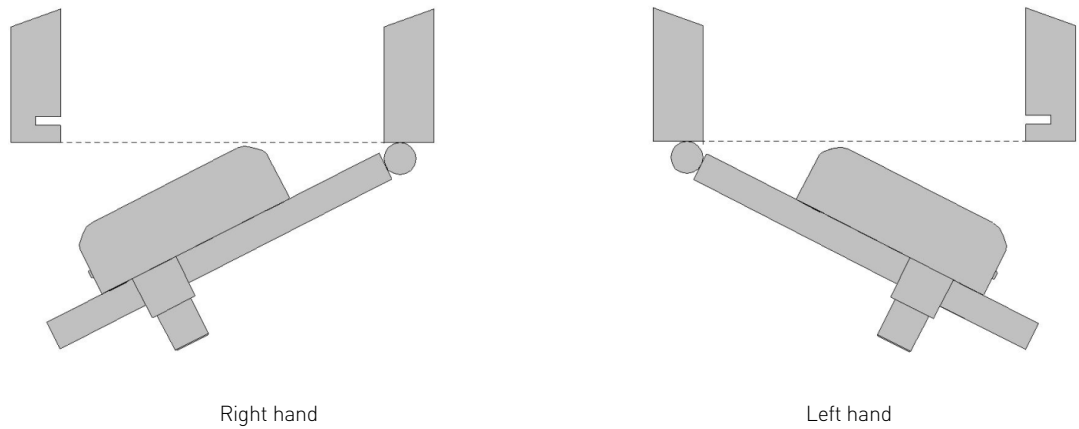
---

Lock installation must be carried out with screws in four drilled holes.

Lock assembly depending on if it is right handed or left handed is shown in figure 1.1.

### 1.1

Representation of right and left handed lock



## 5. ASSEMBLY CONSIDERATIONS

The OTS 20 Batteryless lock is fixed to the locker door with four screws.

### 1.- Recommended screws:

- Conglomerate doors: Coach nut 4.5 x 35 DIN 7996 (depending on the thickness of the door)
- Phenolic or metal doors: Raised countersunk screw Philips M5 x 35 DIN 7985 (depending on the thickness of the door)

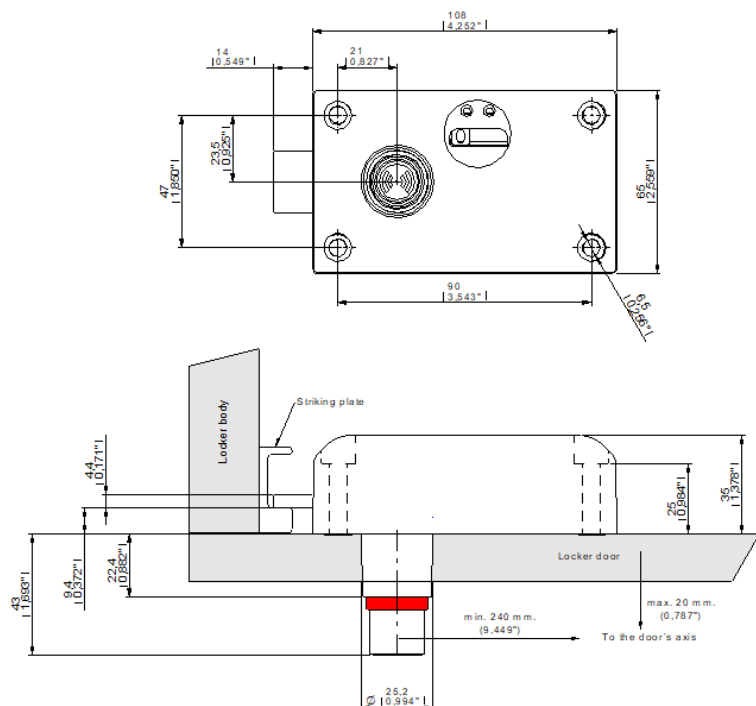
2.- The maximum tightening torque to apply to the tightening of each screw or coach nut will be 300 Ncm.

3.- The hole diameter for the knob must be 26 mm (+1/0 mm). Bevelling the hole on the inner area of the door is recommended.

(\* NOTE: During installation, ensure that the lock does not collide with the locker body with the door open. The dimensions and location of the fixing holes are shown in the figures 1.2.

### 1.2

Measurements of OTS 20 Batteryless lock in mm.  
(Inches)



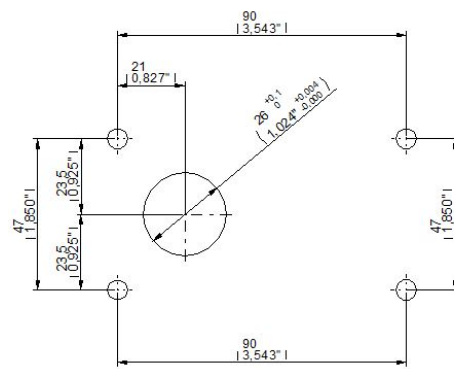
## 6. ASSEMBLY AND INSTALLATION PROCESS

The steps to follow to assemble an OTS lock on a support or furnishing should be followed in this order:

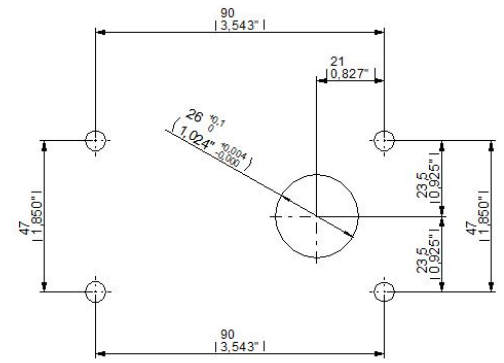
- 1.- Mark the holes according to figure 1.3.
- 2.- Drill the handle hole.
- 3.- If necessary, drill the holes to secure the lock.
- 4.- Screw the lock with four set screws.

### 1.3

Measurements of the mounting holes in mm. (Inches)



Right hand



Left hand